



SmCo

Sintered Anisotropic Samarium Cobalt – Pots

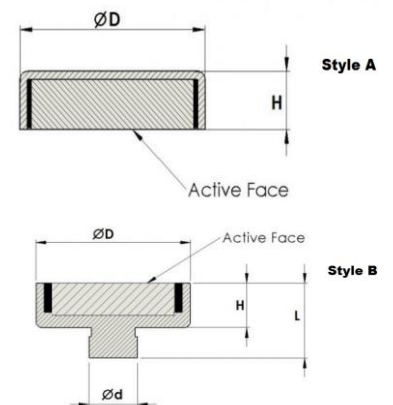
Rare Earth SmCo pots and assemblies can offer up to eleven times the performance of a Ferrite system in a comparable size. Applications tend to be specialised engineering projects where performance and available space are key factors. Maximum operating temperatures are 150°C.

Style A is a simplistic arrangement consisting of a magnet within a steel cup.

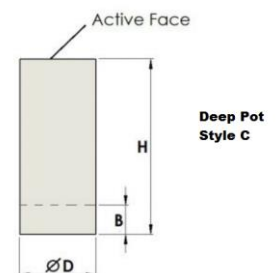
Style B, once again, is a magnet contained in a steel cup yet with an externally threaded stud.

Style C is a simple pot, of which the non-active face can be drilled and tapped to a maximum depth as shown in dimension B.

Samarium Cobalt Shallow Pot						
Dimensions (mm)						
Part Number	Style	ØD	H	Ød	L	Holding Force (kg)
SMSP 00106	A	6	4	-	-	0.5
SMSP 01475	A	8	4.5	-	-	1.1
SMSP 00107	A	10	5	-	-	2.0
SMSP 00165	A	13	5	-	-	4.0
SMSP 00166	A	17.5	5	-	-	6.0
SMSP 00137	A	25	9	-	-	15.0
SMSP 01663	B	25.4	7.3	M8	12.3	12.0



Samarium Cobalt Deep Pot					
Dimensions (mm)					
Part Number	Style	ØD	H	B	Holding Force (kg)
SMDP 00100	C	6	20	10	0.6
SMDP 00101	C	8	20	10	1.0
SMDP 00102	C	10	20	8	4.0
SMDP 00103	C	13	20	6	6.0
SMDP 00104	C	16	20	2	12.5
SMDP 00163	C	20	25	5	25.0
SMDP 00105	C	25	35	7	40.0
SMDP 00164	C	32	40	5	60.0



Please note:
 Holding Forces are based upon direct contact with a thick, clean mild steel surface. Holding Forces will be reduced with heavily painted or corroded surfaces.
 Before selecting a choice of holding system please consider the working environment of your application.